

EMT Novel

MC-Cartridge with innovative multi-layer core transducer technology



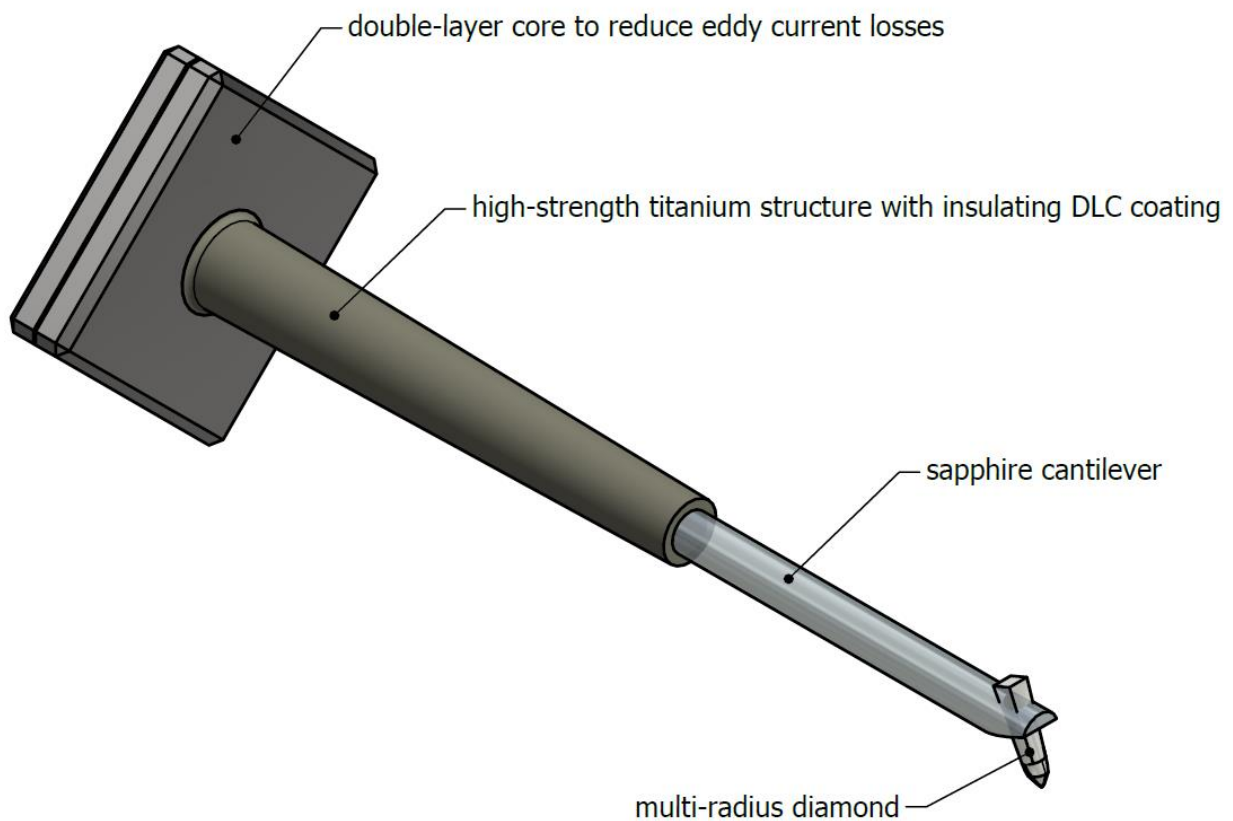
- Advanced transducer technology for less mechanical vibration
- Double-layer core to reduce eddy current loss for best efficiency by low moving load



Technology

Most modern research processes in micromechanics and material-science allow us to constantly go one step further in vinyl playback technology. Six years ago, we started analysing the characteristics of the traditional moving-coil transducer and have been working since on improving its mechanical and magnetic behaviour.

As a result, we hereby introduce our new multi-layer core transducer with titanium/sapphire cantilever. Incredible realistic performance is achieved, while at the same time the tried and trusted EMT typical specs are respected.

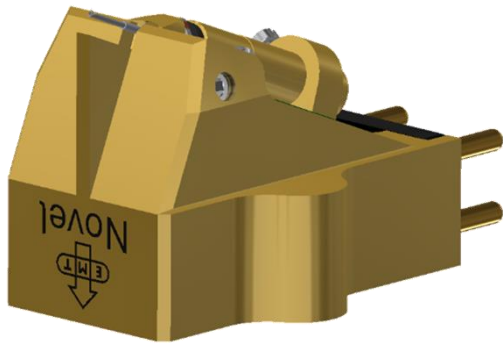


Advanced manual skills are required to produce and assemble such a miracle of micro-technology. Our fabulous team are well educated, and we take care to provide them with a tranquil and pleasant working environment.



Models

All EMT Novel cartridges feature the new multi-layer core transducer technology. Body- and coil-material, suspension and the calibrating process have been specifically selected and adjusted to compose three outstanding cartridge models for the most realistic performance.



JSD Novel Gold

Ultimate stereo cartridge for the most realistic performance. High-density body and pure gold coil for rich and harmonic audio experience. Matt surface gold plated.



JSD Novel Titan

Ultimate stereo cartridge for the most realistic performance. Titanium body and pure silver coil for genuine and balanced audio experience. Matt surface diamond plated.



TSD Novel

Ultimate Tondose for the most realistic performance. Magnesium body and pure copper coil for most professional audio experience. Available with EMT-, INT- and X-connection.



EMT Tontechnik
Tösstalstrasse 14
8488 Turbenthal
Switzerland
+41 44 533 88 99

www.emt-tontechnik.ch